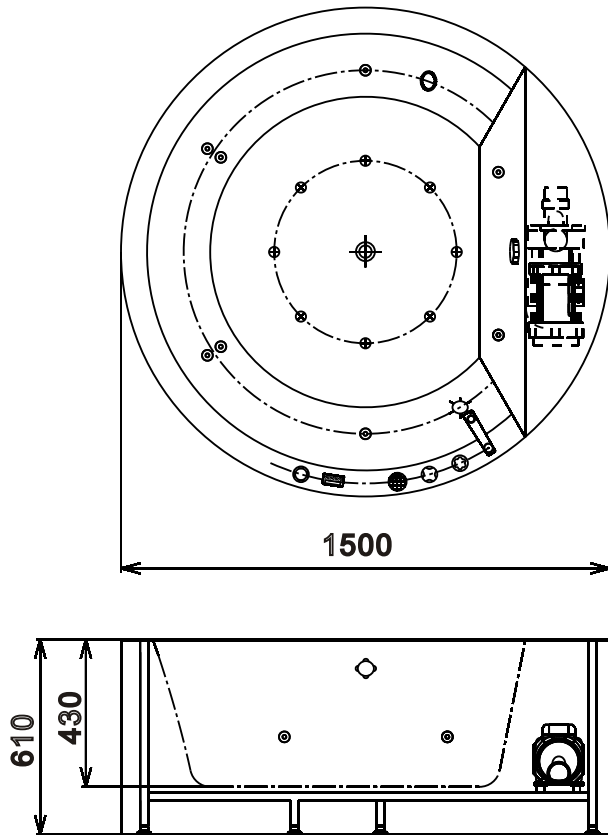


# G9230 MASSAGE BATHTUB

Reference dimension



Allocation of water and power

